

Diffuser3D

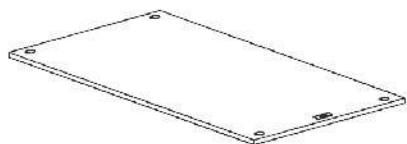
Assembly Manual 3D-061-001A

Phrozen 6.linch MonoLCD ParaLED V2.0 ParaLED V3.0model Equipped with a 4 x 6 square lens

LED lens installation For M3 bolt

Shipping details

Diffuser panel x 1 piece



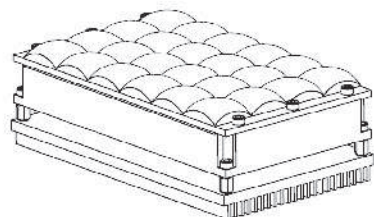
Depending on your LED unit, the parts used may differ.
Please check before use.

Not used

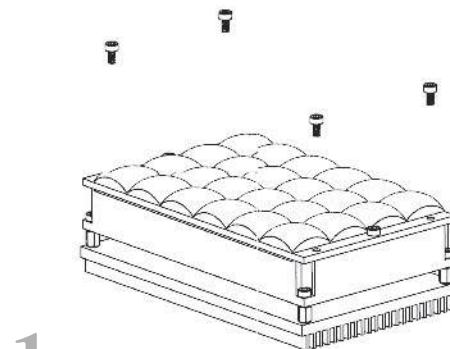
Round spacers x 4
wood screw x 4本

M3 For bolts

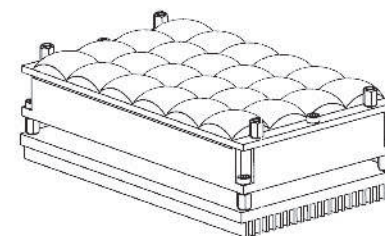
Hexagonal spacers x 4本



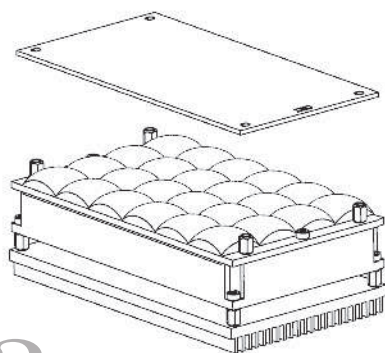
※Please prepare your own LED unit.



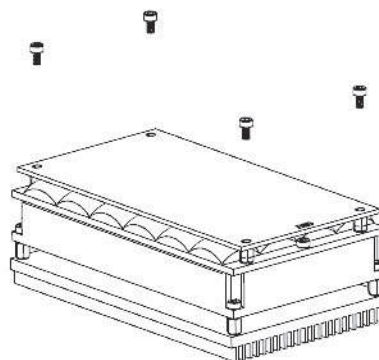
1 Remove the four bolts on your LED unit.



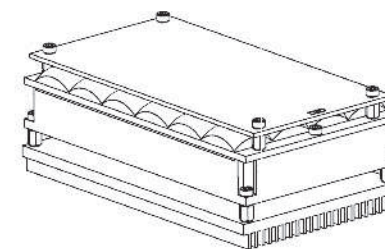
2 Install the supplied hexagonal spacers.



3 Remove both sides of the protective stickers from the diffuser and place it on the spacer so that the letters D3D are correctly visible and the matte side is up.



4 Fix the diffuser with the bolts removed in step 1.

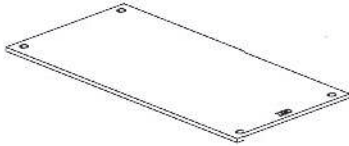


5 Installation completed

Diffuser3D

Parts used

▼ Diffuser panel × 1



Not used.

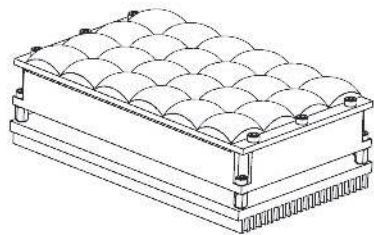
◀ Hexagonal spacers × 4

For 3mm screw

◀ Round spacers × 4

◀ wood screw × 4

Depending on your LED unit, the parts used may differ. Please check before use.

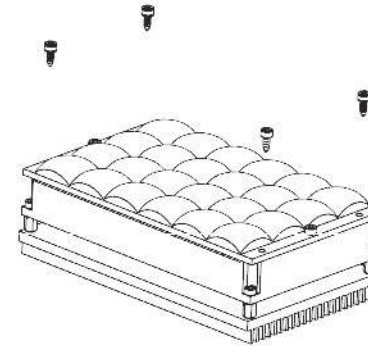


※ Please prepare your own LED unit.

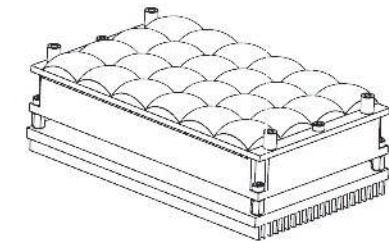
Installing the LED lens For 3mm screw



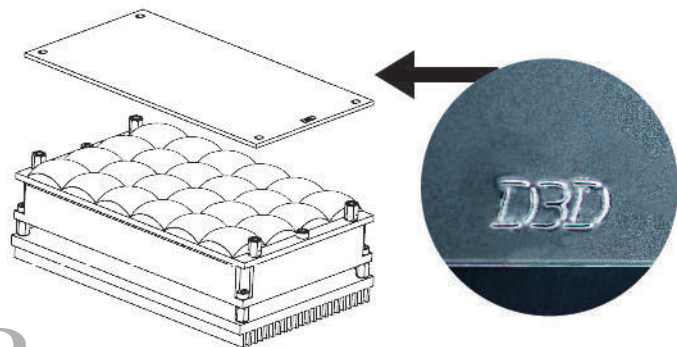
Please keep the removed wood screws in a safe place for future use.



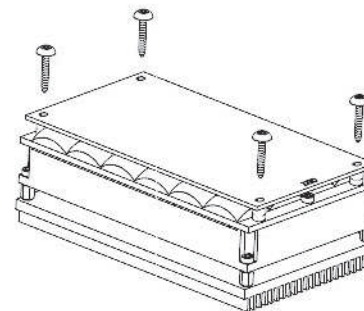
1 Remove the four-way bolt on your LED unit.



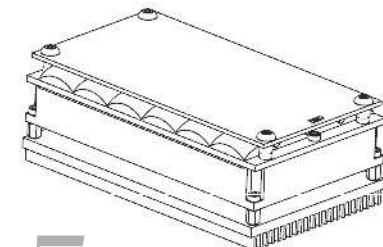
2 Place the supplied round spacers in the holes of the removed bolts.



3 Remove both sides of the protective stickers from the diffuser and place it on the spacer so that the letters D3D are correctly visible and the matte side is up.



4 Fix the spacer and diffuser with the wood screws provided.



5 Installation completed