

Diffuser3D

Assembly Manual Item number 3D-055-001A

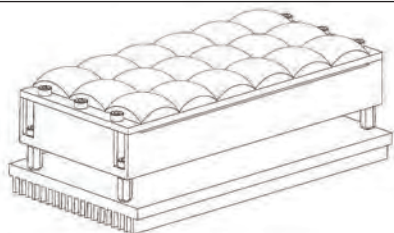
Phrozen 5.5inch LCD ParaLED V2.0 late ParaLED V3.0 model equipped with square lens 3×6

■ Shipping Items ■

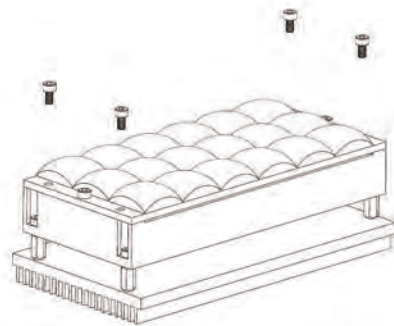
Hexagonal spacers × 4 ▼



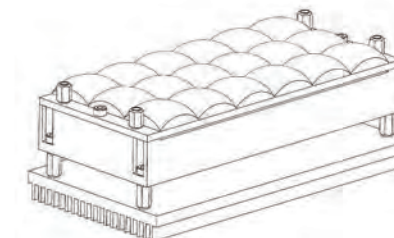
▲ Diffuser Panel × 1 sheet of paper,



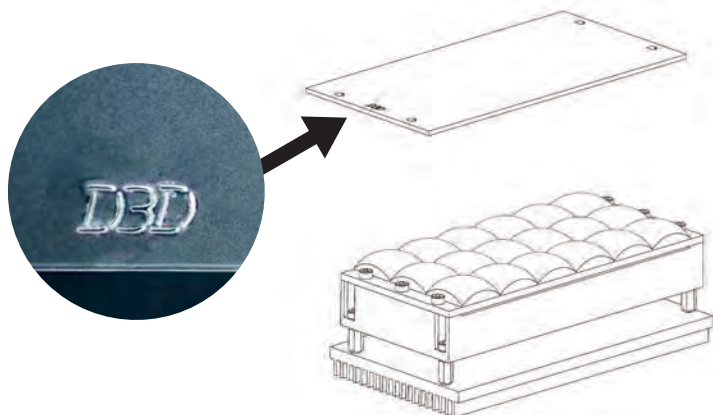
※ Please bring your LED unit with you.



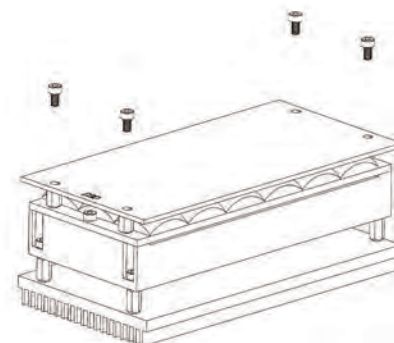
1 Remove the four bolts on your LED unit.



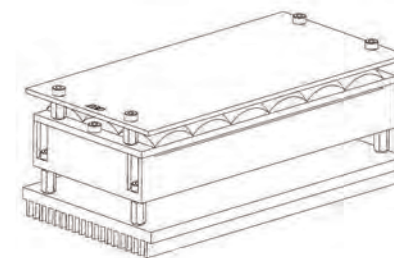
2 Install the included hexagonal spacers.



3 Remove the protective sticker on both sides of the diffuser and place it on the spacer so that the letters on the D3D are properly visible and the frosted side is up.



4 Fix the diffuser with the bolts removed in #1.



5 Installation is complete.